



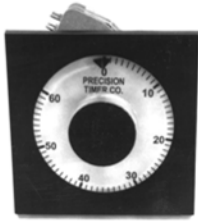
FILE LR28020

HAND - SET INTERVAL TIMERS FOR PANEL MOUNT INSTALLATIONS

CAUS
FILE E47690

SERIES JINM

Yields a Desired Interval of Time, as Set by a Hand Dial
MEETS O.S.H.A. AND F.D.A. DOUBLE BREAK REQUIREMENTS



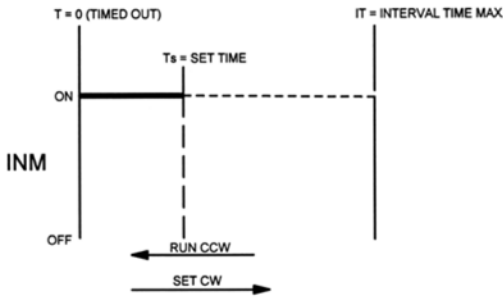
AVAILABLE WITH
HIGH- STYLED
BLACK PLASTIC
FRONT END

- Choice among several front - panel styling and installation arrangements.
- Interchangeable in field or factory with all known competitive major brands.
- 1 and 2 pole.
- Switches rated at 10,15 or 21 amperes with .187" or .250" male push-on termination.
- Broad selection of time ranges.
- All international voltages and frequencies.
- Switches break simultaneously.



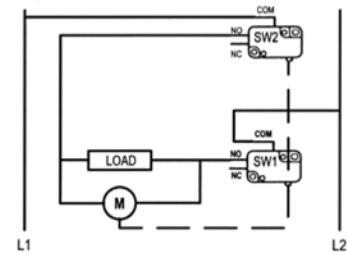
AVAILABLE WITH
ALUMINUM DIAL
AND BEZEL
ECONOMY FRONT
END

**TIMING DIAGRAM
(TYPICAL)**



AVAILABLE WITHOUT
A DIAL

**WIRING DIAGRAM
(TYPICAL)**



OPERATION Manually set the dial to the desired time. The timer motor drives the cam shaft and cam back to zero (time - out). Please note that the timer motor must be wired thru one microswitch. This keeps the current draw thru the motor circuit to a minimum. The line must be broken by both switches if the application demands this mode of operation.

HOW TO ORDER: JINM (N) (SW) / (T) (V) (HZ) (O) (S)

SERIES	N = NO. OF POLES	SW = SWITCH TYPE	T = INTERVAL TIME RANGE	V = AC VOLTS	HZ = HERTZ	O = OPTIONS	S = SUFFIX
JINM	1	V1	AS	L = 24V	5 = 50 HZ	CONSTRUCTION	FACTORY
	2	W2	REQUIRED BY	D = 120V	6 = 60 HZ	OR DIAL	ASSIGNED
		H2	CUSTOMER	E = 230V	7 = 50-60 HZ	SEE	AS REQUIRED
			SELECT FROM			OUTLINE	
			5 SEC. TO 4 DAYS			DRAWINGS	

EXAMPLE: JINM2H2/60MD6A; Series JINM, DPDT Switches, Rated 21 Amp, 60 Minutes Interval, 120 Volts, 60Hz, Economy Front End. Switches break simultaneously.

MADE IN USA

American Control Products / Precision Timer
a division of Prime Technology
344 Twin Lakes Road
North Branford, CT 06471
Telephone: (203) 481-5721
Fax: (203) 481-8937
Email: sales@primetechnology.com
www.primetechnology.com



TECHNICAL BULLETIN

PANEL MOUNTED INTERVAL TIMERS

PAGE 1
OF 4

DATE
8/12/03

JINM

REV



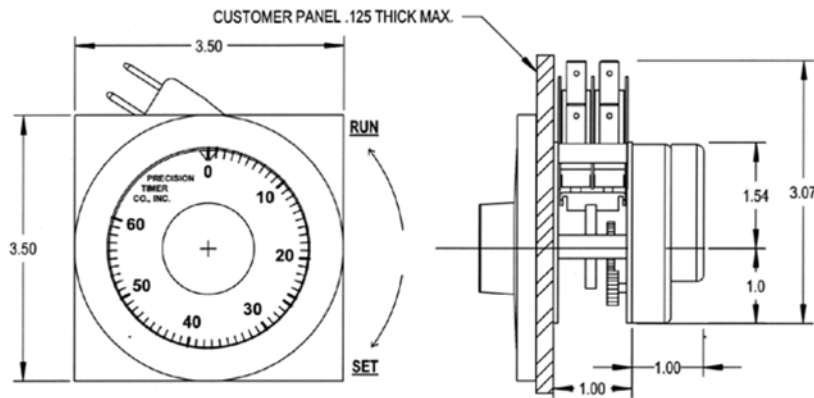
SERIES JINM OUTLINE DRAWINGS



FILE LR28020

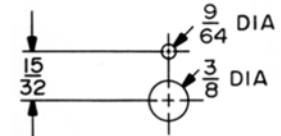
FILE E47690

INSTALLATION ARRANGEMENT "R"



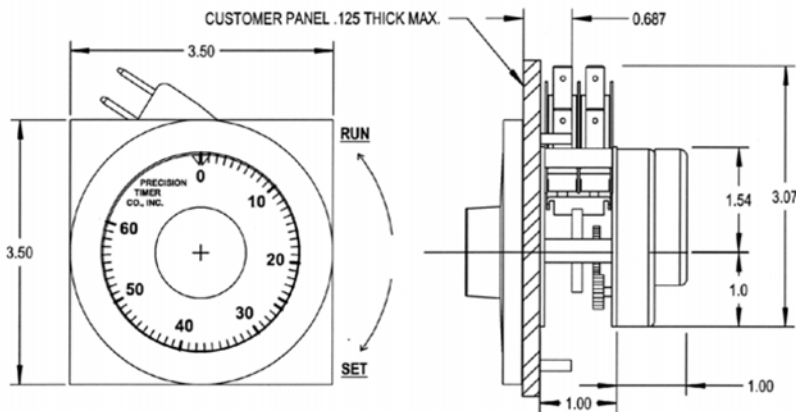
HANDSOME PANEL STYLING FEATURING A BLACK PLASTIC BEZEL WITH CONTRASTING DIAL

REASONABLY PRICED
INEXPENSIVE TO INSTALL FROM REAR OF PANEL



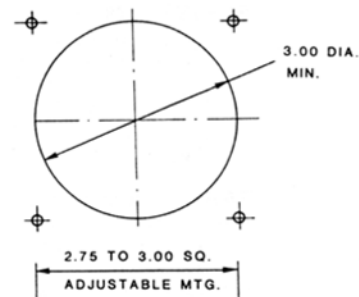
MOUNTING DIMENSIONS

INSTALLATION ARRANGEMENT "S"



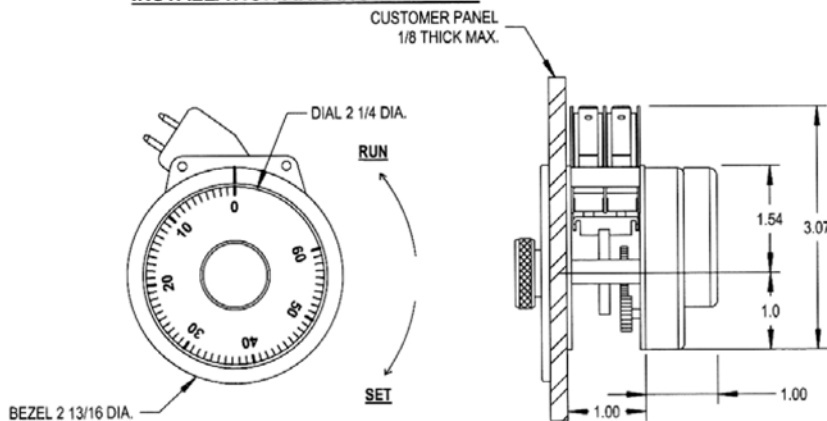
FEATURES A BLACK PLASTIC BEZEL WITH CONTRASTING DIAL AND 4 ADJUSTABLE STUDS

MOUNTING IS FROM THE FRONT OF THE PANEL

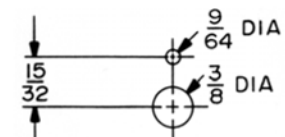


This installation arrangement "S" is interchangeable with many competitive brands. Four # 6-32 studs are provided, captive in slots, and they will adjust freely to match any square pattern from 2.75" square to 3.00" square. The plastic front bezel will cover and hide any existing central body clearance hole up to 3/2" diameter.

INSTALLATION ARRANGEMENT "A"



LOW COST ALUMINUM DIAL AND BEZEL FRONT END
VERY INEXPENSIVE TO INSTALL FROM REAR OF PANEL



MOUNTING DIMENSIONS

MADE IN USA

American Control Products / Precision Timer
 a division of Prime Technology
 344 Twin Lakes Road
 North Branford, CT 06471
 Telephone: (203) 481-5721
 Fax: (203) 481-8937
 Email: sales@primetechnology.com
 www.primetechnology.com



TECHNICAL BULLETIN

PANEL MOUNTED INTERVAL TIMERS

PAGE 2
OF 4

DATE
8/12/03

JINM

REV



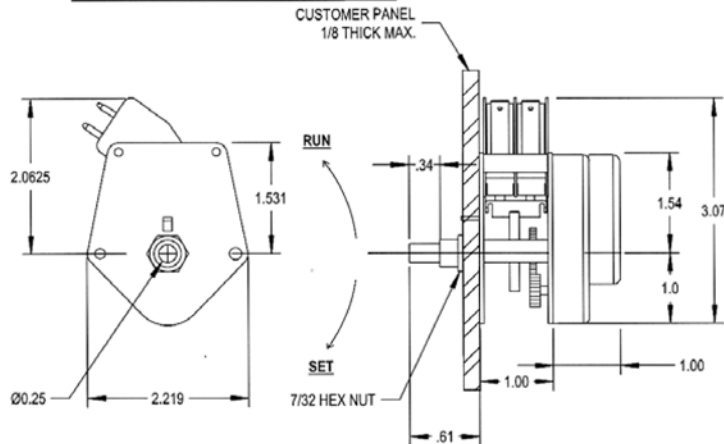
FILE LR28020

SERIES JINM OUTLINE DRAWINGS

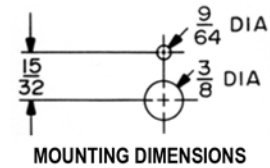


FILE E47690

INSTALLATION ARRANGEMENT "B"



BARE TIMER WITHOUT A DIAL AND BEZEL
CUSTOMER WILL PROVIDE THE FRONT END DECOR



INSTALLATION ARRANGEMENT "X"

ANY OTHER MOUNTING ARRANGEMENT – We can provide numerous other mounting arrangements and front-end designs. Please ask the factory about any special arrangement needed but not illustrated above.

MADE IN USA



American Control Products / Precision Timer
 a division of Prime Technology
 344 Twin Lakes Road
 North Branford, CT 06471
 Telephone: (203) 481-5721
 Fax: (203) 481-8937
 Email: sales@primetechnology.com
 www.primetechnology.com

TECHNICAL BULLETIN

PANEL MOUNTED INTERVAL TIMERS

PAGE 3
OF 4

DATE
8/12/03

JINM

REV



RATINGS AND OPERATIONAL PARAMETERS

MOTORS

- Permanent magnet synchronous inductor type.
- USA industrial standard pear-shaped configuration.
- UL and CSA approved.
- Enclosed construction.
- Torque rating 30 inch-ounces at 1 RPM.
- Stocked and standard at 120/60.
- Also readily available or stocked for 24/60, 230/60, 24/50, 115/50, and 220/50.
- These motors operate at a speed precisely synchronous with frequency of input power.
- Corrosion resistant.
- Tough, reliable, long lived.
- Reasonable life expectancy exceeding 10,000 hours.
- Fast acceleration. Instant stop.
- Our staff filters all incoming orders to insure adequate motor torque.

Switches (All switches are UL and CSA approved)

V1 – 10 Amperes

- UL rated 10 amperes nominal @ .75 power factor.
- ½ horsepower at 125/250 VAC.
- Enclosed, snap-action, sub-basic size.
- .187 male push-on terminals.
- Form C – SPDT.

W2 – 15 Amperes

- UL rated 15 amperes nominal @ .75 power factor.
- ½ horsepower at 125/250 VAC.
- Enclosed, snap-action, sub-basic size.
- .250 Male push-on terminals.
- Form C – SPDT.

H2 – 21 Amperes

- UL rated 21 amperes nominal @250VAC.
- 1hp @ 125 VAC, 2hp @ 250VAC.
- Enclosed, snap-action, sub-basic size.
- .250 male push-on terminals.
- Form C – SPDT.

E – 25 Amperes

- UL rated 25 amps @ 125,250 or 480 VAC.
- 1 hp @ 125 VAC or 2 hp @ 250 VAC.
- Pilot duty 750 VA @ 125 or 250 VAC.
- Enclosed snap-action, full basic size, # 8 screw terminals.
- Form C – SPDT.
- For restricted uses only.

Life Expectancy

The life of a switch is a function of the type, magnitude, and number of usages under an applied electrical load. At low electrical load 95% survival is expected at 10,000,000 operations, at full electrical load 95% survival is expected at 150,000 operations, subject to inrush considerations and type of load as to resistive, inductive, or capacitive. Particular attention should be given for high inrush applications such as heaters or lamps as might weld, erode, or cavitate switch contacts. We will gladly assist customers in making a selection.

Camshaft Speed (Time per Cycle)	No. of Switch Operations in One Year	
	Continuous Operation	Fifty 40-hour Weeks
1 sec.	31,557,600	7,200,000
15 sec.	2,103,840	480,000
30 sec.	1,051,920	240,000
1 min.	525,960	120,000
15 min.	35,064	8,000
30 min.	17,532	4,000
1 hr.	8,766	2,000
15 hrs.	584	133
30 hrs.	292	67

American Control Products / Precision Timer
 a division of Prime Technology
 344 Twin Lakes Road
 North Branford, CT 06471
 Telephone: (203) 481-5721
 Fax: (203) 481-8937
 Email: sales@primetechnology.com
 www.primetechnology.com



TECHNICAL BULLETIN

PANEL MOUNTED INTERVAL TIMERS

PAGE 4
OF 4

DATE
8/12/03

JINM

REV